

GHE3D-70 3-Way Adjustable Concealed Hinge

Door width (max 600) · Door height (max 1200) · Door thickness (min 19)
Door weight (max 9kg with 2 pcs) or (max 12kg with 3 pcs)

Features

- Small bore depth, easy to cut out the door and frame
- 3-way adjustment function allows vertical, horizontal, and depth adjustment after hinge installation
- Hinge can be split into the door side and the frame side

Parts Included

- Countersunk SUS head tapping screw 4×20 (4 pcs / hinge)
- Hex key 2

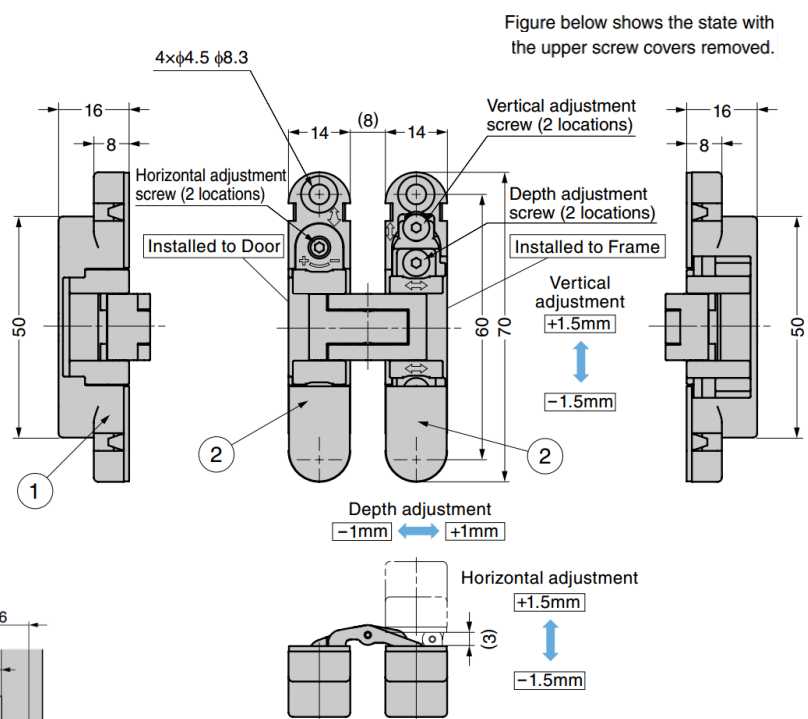
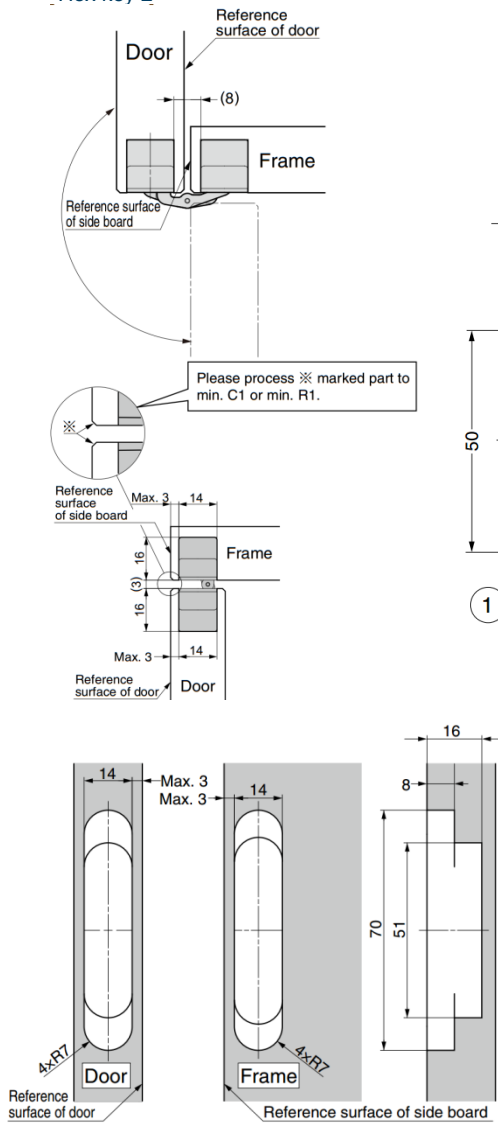
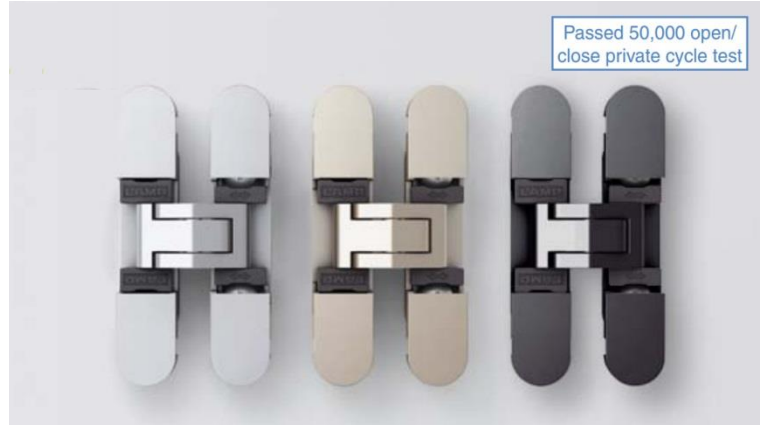


Figure below shows the state with the upper screw covers removed.

No.	Part Name	Material	Finish		
			DC	DN	BL
①	Body	Zinc Alloy (ZDC)	Satin Chrome	Dull Nickel	Black Paint
②	Cover (2 pairs)	ABS	Silver Paint	Champagne Gold Paint	Black

Part No.	Colour	Door Width	Door Height	Door Thickness	Opening Angle	Door Weight	
GHE3D-70DC	Silver	Max. 600	Max. 1200	Min. 19	180°	Max.9 kg / 2 pcs	Max.12 kg / 3 pcs
GHE3D-70DN	Champagne Gold						
GHE3D-70BL	Black						

Additional Information

Installation & Adjustment Procedure Using Temporary Holding Feature

- By using the temporary holding feature, you can easily install the door with one person:
 1. Remove screw covers and vertical adjustment screws to split the hinge into the hinge body and base frame as shown in Figure A.
 2. Secure the hinge body (the side with manufacturer logo) to the bored hole of the door and the base frame to the bored hole of the frame with mounting screws respectively.
 3. Push the hinge body horizontally into the base frame as shown in Figure B.
 4. The temporary holding feature holds the door in the frame even if you loosen your hands after pushing it in.
 5. Replace and temporarily tighten the vertical adjustment screws that were removed in *Step 1*.
 6. Adjust the door positions in order one by one.
 7. Loosen the vertical adjustment screws by one turn, and adjust the vertical position of the door.
 8. After adjusting the vertical position, tighten the vertical adjustment screws.
 9. Loosen the depth adjustment screws by one turn, and adjust the depth position of the door.
 10. After adjusting the depth position, tighten the depth adjustment screws.
 11. Turn the horizontal adjustment screws to adjust the horizontal position of the door. To do this, turn the left and right adjustment screws little by little, respectively. Turning them by force may cause failure or damage.
 12. Finally, replace the screw covers to complete.

Figure A: Exploded View

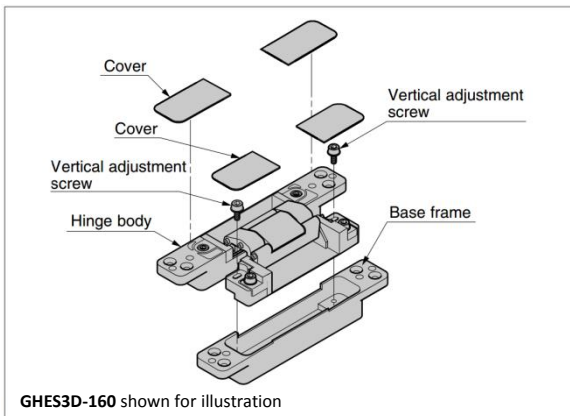


Figure B: Installation

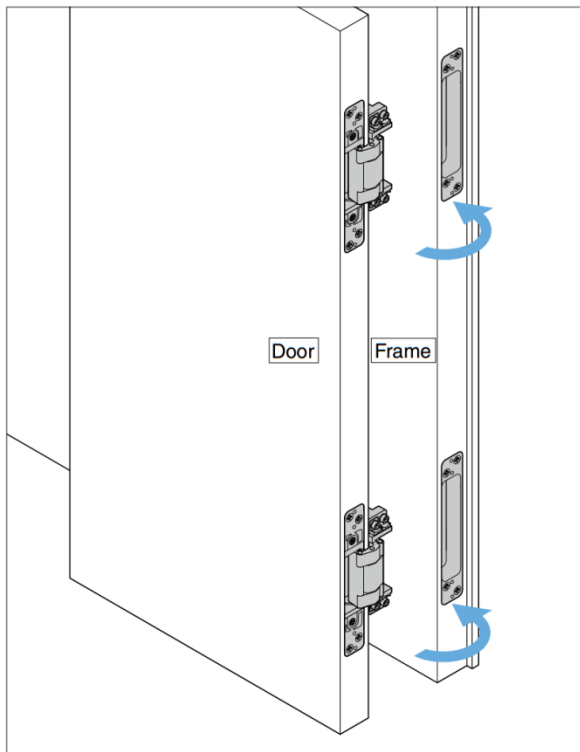


Figure C: Adjustment Screws

